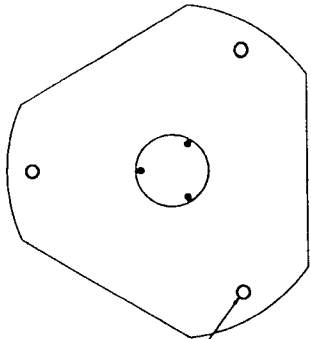
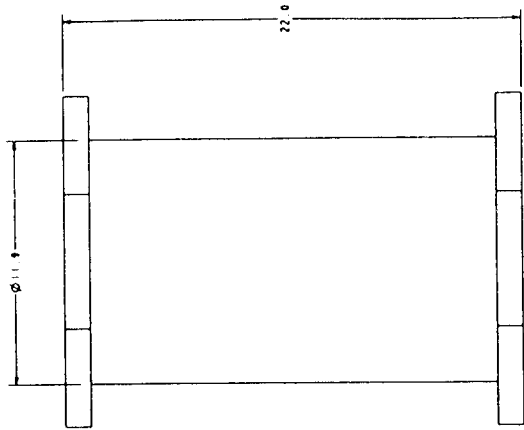
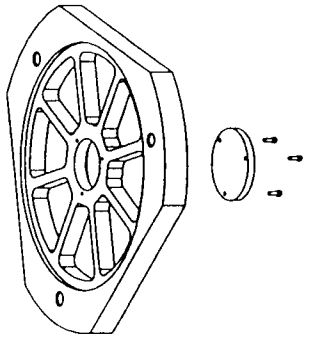
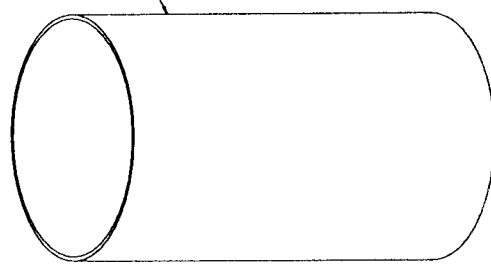
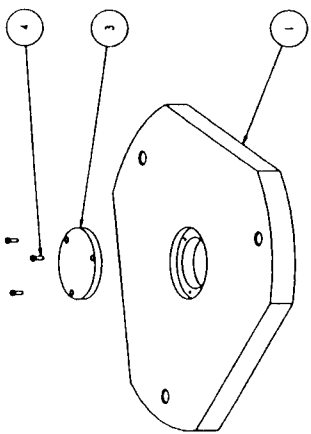


Notes: unless otherwise specified

- 1. Weight assembly - 38 pounds
- 2. Standard length shown. Custom lengths available



Clearance holes for 3/16\"/>



Item #	Part Number	Description	Qty
4	12-7342-08	88-32 X 1/2 SHCS, SS	6
3	31-1509-00	Sand Plug	2
2	31-1454-20	Tube	1
1	31-1507-00	Head	2

Interferences:
 None observed specific to this assembly.

Revised By: JES Date: 18-11-45
 Checked By: JES Date: 18-11-45
 Approved By: [Signature] Date: 18-11-45

Part Name: Pier Assembly
 Part Number: 37-E507-00
 Revision: C
 Sheet: 1 of 1

Meade Instruments Corporation